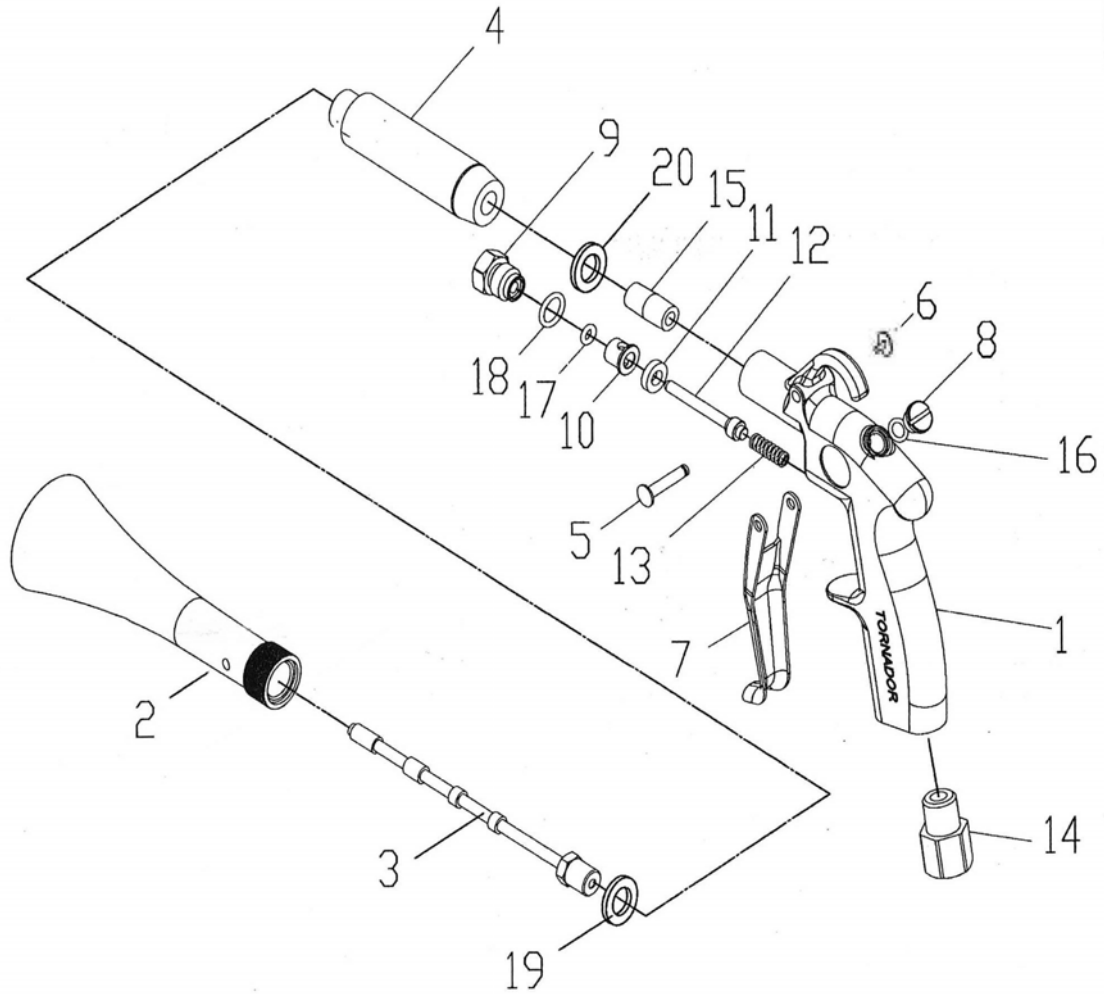




# Z-014 Tornador BASIC



| Ref. No. | Part No.   | Description         | Ref. No. | Part No.   | Description            |
|----------|------------|---------------------|----------|------------|------------------------|
| 1        | SPZ010001  | Housing             | 13       | SPZ010015  | Spring 0.7x4.5x5.9x28L |
| 2        | SPZ010002  | Nozzle              | 14       | SPZ010024A | Air Inlet (1/4" PF)    |
| 3        | SPZ010005  | Weighted Tube Ass'y | 15       | SPZ010025  | Screw                  |
| 4        | SPZ014004  | Hose                | 16       | SPZ010026  | O-Ring 5.5x1.5         |
| 5        | SPZ010007A | Trigger Pin         | 17       | SPZ010027  | O-Ring 3.8x1.9         |
| 6        | SPZ010008A | Screw               | 18       | SPZ010028  | O-Ring 9.3x1.78        |
| 7        | SPZ010009  | Trigger             | 19       | SPZ010029  | Gasket 14.5x20x2T      |
| 8        | SPZ010010  | Screw               | 20       | SPZ010030  | Gasket 10x16.5x2T      |
| 9        | SPZ010011  | Screw               |          |            |                        |
| 10       | SPZ010012  | Bushing             |          |            |                        |
| 11       | SPZ010013  | Gasket              |          |            |                        |
| 12       | SPZ010014  | Valve Stem          |          |            |                        |